

Gardner
Denver

POSITIVE DISPLACEMENT VACUUM PUMPS

TriFlow[®]
Industrial Series



TriFlow®: the Choice of Leading OEMs

Gardner Denver is shaping the standards of performance and reliability in the design of positive displacement blowers and vacuum pumps. The tradition continues with the TriFlow Series vacuum pumps. Each TriFlow is engineered for a wide range of commercial and industrial applications. Specifically, TriFlow is the choice of leading Original Equipment Manufacturers (OEMs) of truck mounted vacuum cleaning systems.

TriFlow Offers Operators Significant Benefits & Advantages

- Great performance and efficiency in a compact design
- Quiet operation
- Highest quality materials and construction
- Flexible installation capability
- Reduced maintenance
- Available in 3 sizes: 406, 408 & 410
- TriFlow delivers:
 - Vacuum to 16 inHg
 - Flows to 700 cfm

Quiet Operation

- Three lobe impeller geometry allows higher throughput while creating lower pulsation levels than two lobe units, resulting in reduced noise
- An internal feedback porting arrangement contributes to the further reduction of noise

Quality Promise

- Backed by one of the largest distributor networks in the industry
- Every TriFlow vacuum pump is built under rigid ISO 9001:2000 quality standards
- Each TriFlow is individually tested to meet rigorous performance specifications
- Warranty Period
 - 18 months from the date of shipment or
 - 12 months from the date of installation, whichever occurs first





TriFlow® Models 410, 408, 406

Quality Construction

Each model incorporates the following for longer service life, reduced downtime and maintenance

- Highly reliable Dual Splash Lubrication
- Heavy duty bearings
- High strength timing gears
- Integral heat dissipation fins on the case to help maintain proper clearances

Oil-Free Air Delivery

- Piston ring seals are incorporated on each impeller shaft with a lip seal on the drive shaft, providing superior sealing to prevent oil leakage into the air chamber
- Independent oil sumps prevent cross contamination and allow the vacuum pump to operate safely on an incline when used in carpet cleaning applications

Flexible Installation

- Unique, integral mounting surfaces are precision machined for ease of installation and drive system alignment
- Critical mounting dimensions are similar to those of existing two lobe positive displacement vacuum pumps allowing for system upgrades
- The inlet and outlet ports include both flange and FNPT connections for ease of plumbing

TriFlow:
Setting the Industry Standard

Performance Data

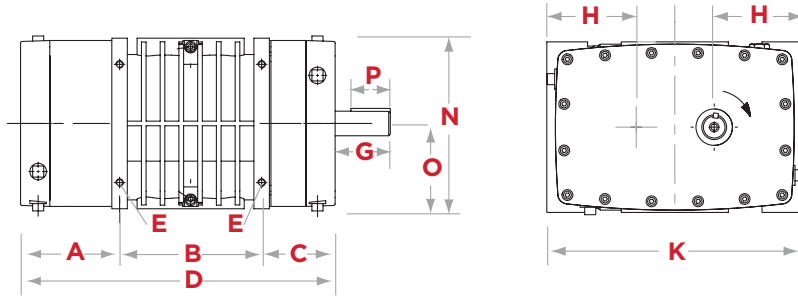
VACUUM

| MODEL | RPM | 10 inHg | | 12 inHg | | 14 inHg | | 16 inHg | |
|-------|-------|---------|------|---------|------|---------|------|---------|------|
| | | CFM | BHP | CFM | BHP | CFM | BHP | CFM | BHP |
| 406 | 1,760 | 127 | 4.4 | 117 | 5.2 | 106 | 6.0 | - | - |
| | 2,190 | 174 | 5.6 | 163 | 6.6 | 153 | 7.6 | - | - |
| | 2,620 | 220 | 6.8 | 210 | 8.1 | 199 | 9.3 | - | - |
| | 3,600 | 327 | 10.0 | 317 | 11.7 | 306 | 13.3 | 294 | 15.0 |
| | 4,000 | 371 | 11.4 | 361 | 13.2 | 350 | 15.1 | 337 | 17.0 |
| 408 | 1,760 | 190 | 6.3 | 176 | 7.5 | 161 | 8.7 | - | - |
| | 2,190 | 259 | 8.0 | 245 | 9.5 | 230 | 11.0 | - | - |
| | 2,620 | 328 | 9.7 | 314 | 11.5 | 298 | 13.3 | - | - |
| | 3,600 | 485 | 13.9 | 471 | 16.4 | 455 | 18.9 | 438 | 21.3 |
| | 4,000 | 549 | 15.8 | 535 | 18.5 | 519 | 21.2 | 502 | 24.0 |
| 410 | 1760 | 235 | 8.6 | 214 | 10.2 | 191 | 11.8 | 165 | 13.4 |
| | 2190 | 326 | 10.9 | 305 | 12.8 | 282 | 14.8 | 256 | 16.8 |
| | 2620 | 417 | 13.4 | 396 | 15.7 | 373 | 18.1 | 341 | 20.5 |
| | 3600 | 623 | 20.0 | 602 | 23.2 | 579 | 26.5 | 553 | 29.7 |
| | 4000 | 708 | 23.0 | 687 | 26.6 | 664 | 30.3 | 638 | 33.9 |

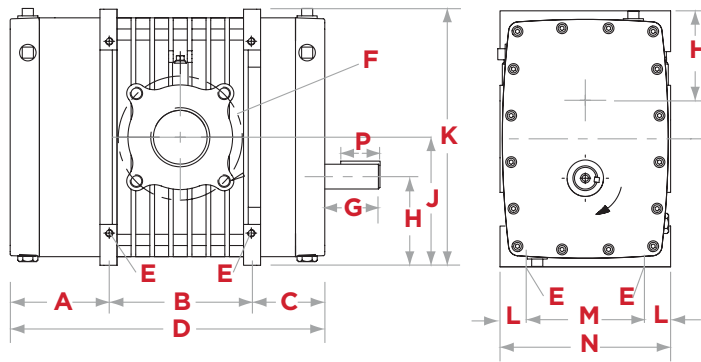
Performance based on inlet air at standard temperature of 68° F, an ambient pressure of 14.7 psia and 36% relative humidity. For performance at non-standard conditions, contact your authorized Gardner Denver representative.



HORIZONTAL CONFIGURATION



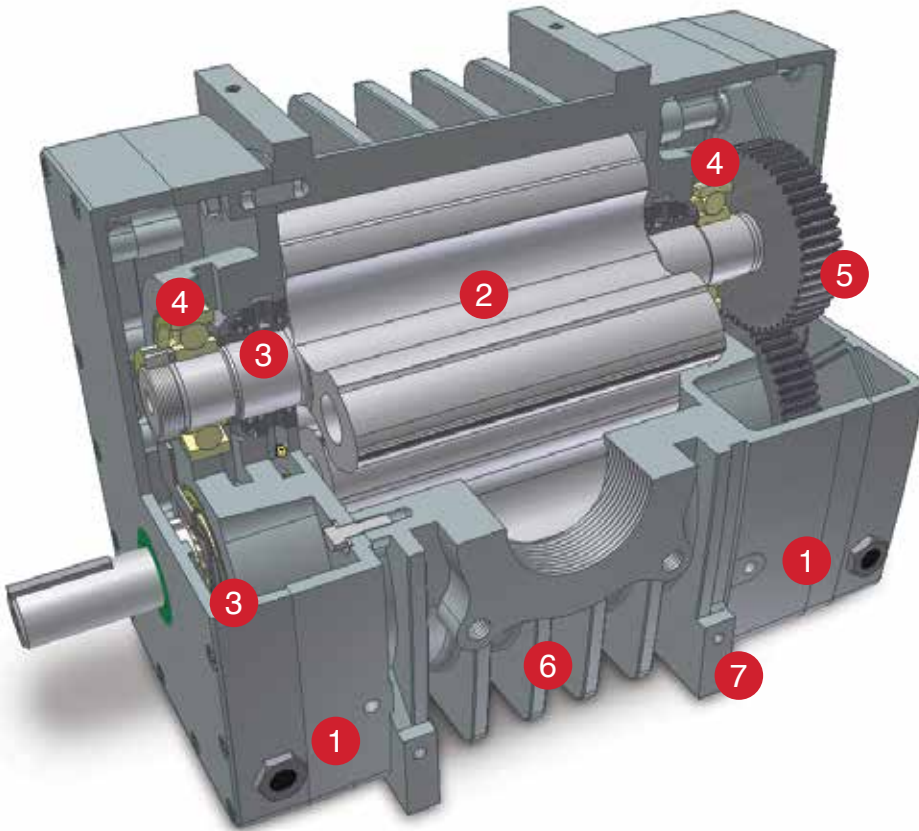
VERTICAL CONFIGURATION



TriFlow 410

DIMENSIONAL DATA

| MODEL | 406 | | 408 | | 410 | |
|-----------------|------------|------------|------------|------------|------------|------------|
| PORT SIZE CONN. | 2.5" NPT | | 3" NPT | | 4" NPT | |
| SHAFT DIAM. | 1.25 | | 1.25 | | 1.25 | |
| WEIGHT | LBS | KG | LBS | KG | LBS | KG |
| | 141 | 64 | 168 | 76 | 202 | 92 |
| DIMENSIONS | INCHES | MM | INCHES | MM | INCHES | MM |
| A | 5.0 | 127.0 | 5.0 | 127.0 | 5.0 | 127.0 |
| B | 4.7 | 119.4 | 7.2 | 182.9 | 9.46 | 240.3 |
| C | 4.2 | 106.7 | 4.2 | 106.7 | 3.73 | 94.7 |
| D | 13.9 | 353.1 | 16.4 | 416.6 | 18.22 | 462.8 |
| E | 3/8-16 UNC | 3/8-16 UNC | 3/8-16 UNC | 3/8-16 UNC | 3/8-16 UNC | 3/8-16 UNC |
| F | 5.7 | 144.8 | 6.3 | 160.0 | N/A | N/A |
| G | 2.8 | 71.1 | 2.8 | 71.1 | 2.8 | 71.1 |
| H | 4.5 | 114.3 | 4.5 | 114.3 | 4.5 | 114.3 |
| J | 6.5 | 165.1 | 6.5 | 165.1 | 6.5 | 165.1 |
| K | 13.0 | 330.2 | 13.0 | 330.2 | 13.0 | 330.2 |
| L | 1.33 | 33.8 | 1.33 | 33.8 | 1.33 | 33.8 |
| M | 6.0 | 152.4 | 6.0 | 152.4 | 6.0 | 152.4 |
| N | 8.66 | 220.0 | 8.66 | 220.0 | 8.66 | 220.0 |
| O | 4.33 | 110.0 | 4.33 | 110.0 | 4.33 | 110.0 |
| P | 2.0 | 50.8 | 2.0 | 50.8 | 2.0 | 50.8 |



TriFlow[®] Design Advantages

- 1** Dual splash lubrication for reduced maintenance intervals and superior durability
- 2** Tri-lobe impeller design reduces noise and vibration
- 3** Piston ring and shaft lip seals prevent oil leakage
- 4** Heavy duty bearings for greater reliability
- 5** High strength timing gears for longer service life
- 6** Large fins provide greater heat dissipation and clearance stability extending operating life
- 7** Machined mounting bosses for ease of installation



Genuine Gardner Denver Parts & Lubricants

- Maintain the Gardner Denver performance advantage and reliability with Genuine GD Replacement Parts available through authorized sales and service representatives
- Protect your Gardner Denver investment with AEON® PD, the only lubricant specially formulated for all blowers in any environment
- Available for standard, food grade and extreme duty applications



The leader in every market we serve
by continuously improving all business processes
with a focus on innovation and velocity

**Gardner
Denver**[®]


Gardner Denver, Inc.

1800 Gardner Expressway
Quincy, IL 62305
866-428-4890

www.gardnerdenver.com/gdproducts



©2019 Gardner Denver, Inc. Printed in U.S.A.
PD-IND-TF 2nd Ed. 8/19

 Please recycle after use.