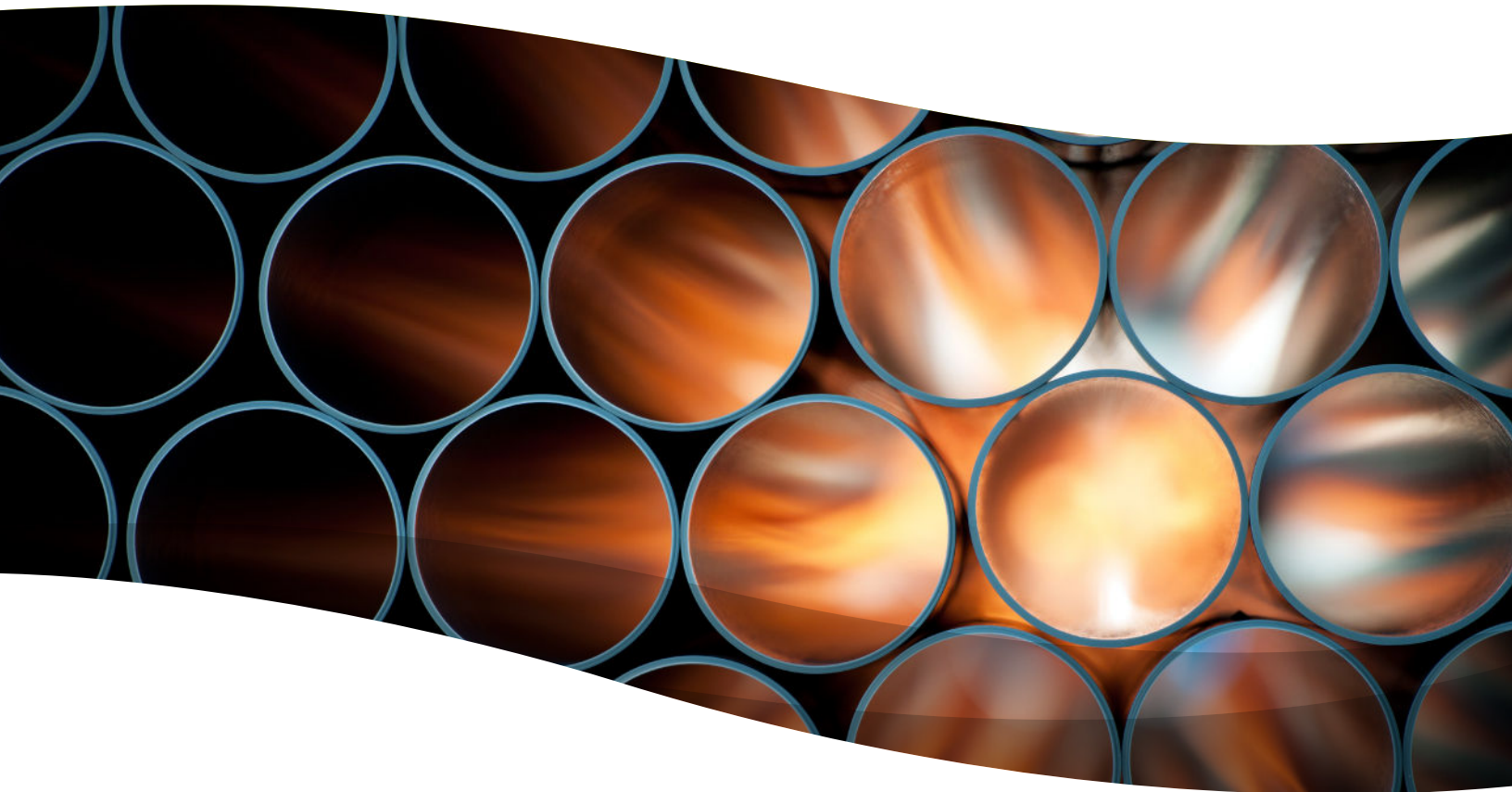


Gardner Denver

DOWNSTREAM AIR STORAGE TANKS | 30-5,000 GALLONS



X Series: Gardner Denver Air Treatment



With on-time delivery being an important goal for our X Series tank offering, we want to be sure you are getting your vessels when you need them. With over forty standard air receiver designs in inventory and ready to ship, we will be ready when you need us. Non-stock standard designs will have a four-week lead time. If those two options do not work for you, you can order a custom, made-to-order, design. These custom designs, depending upon specifications, usually ship within 5-7 weeks.

We are an ISO 9001 certified manufacturer, committed to the highest quality standards. We offer specialized testing, on-site inspection coordination and detailed documentation to ensure quality product each and every time. Although ASME Code is the most common code we build to, we have extensive experience working with the following codes and standards as well:

ASME Section VIII Div 1
(U Stamp)

ASME Section VIII Div 2
(U2 Stamp)

ABS

Algerian

AS1210

CRN

CE/PED

DOSH

DNV

GOST/TRCU

Hazardous Material Regulations
(DOT)

Lloyds

MHWL

MOM

NR13

SELO

USCG



Vertical Air Receiver
with Feet



Vertical Air Receiver
with Base



Vertical Air Receiver
with Top Plate & Base

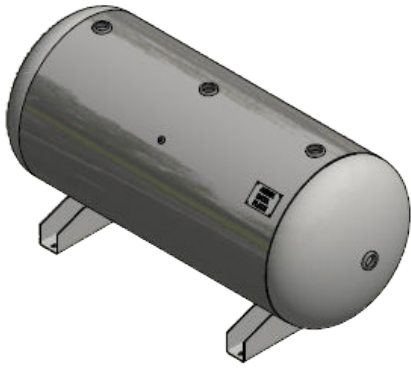


Vertical Air Receiver
with Top Plate & Feet

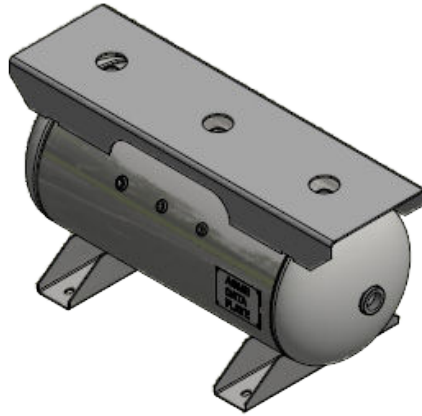
VERTICAL TANKS

| PART NUMBER | | | | | | | |
|----------------|------|-----|-----|----|------|------|-----------|
| XGTK30-VF200 | 30 | 200 | 38 | 16 | 79 | Feet | |
| XGTK30-VFT200 | 30 | 200 | 38 | 16 | 99 | Feet | Top Plate |
| XGTK60-VF200 | 60 | 200 | 48 | 20 | 151 | Feet | |
| XGTK60-VFT200 | 60 | 200 | 48 | 20 | 173 | Feet | Top Plate |
| XGTK80-VB200 | 80 | 200 | 63 | 20 | 225 | Base | |
| XGTK80-VFT200 | 80 | 200 | 45 | 24 | 269 | Feet | Top Plate |
| XGTK120-VB200 | 120 | 200 | 67 | 24 | 275 | Base | |
| XGTK120-VBT200 | 120 | 200 | 50 | 30 | 432 | Base | Top Plate |
| XGTK200-VB200 | 200 | 200 | 72 | 30 | 505 | Base | |
| XGTK240-VB200 | 240 | 200 | 84 | 30 | 643 | Base | |
| XGTK400-VB165 | 400 | 165 | 93 | 36 | 717 | Base | |
| XGTK400-VB200 | 400 | 200 | 93 | 36 | 858 | Base | |
| XGTK500-VB165 | 500 | 165 | 117 | 36 | 1100 | Base | |
| XGTK500-VB200 | 500 | 200 | 117 | 36 | 1135 | Base | |
| XGTK660-VB150 | 660 | 150 | 120 | 42 | 1391 | Base | |
| XGTK660-VB200 | 660 | 200 | 120 | 42 | 1461 | Base | |
| XGTK1060-VB155 | 1060 | 155 | 144 | 48 | 1921 | Base | |
| XGTK1060-VB200 | 1060 | 200 | 144 | 48 | 2705 | Base | |
| XGTK1550-VB165 | 1550 | 165 | 166 | 54 | 3037 | Base | |
| XGTK1550-VB200 | 1550 | 200 | 166 | 54 | 3900 | Base | |
| XGTK2000-VB150 | 2000 | 150 | 174 | 60 | 3503 | Base | |
| XGTK2560-VB150 | 2560 | 150 | 220 | 60 | 4314 | Base | |
| XGTK3000-VB137 | 3000 | 137 | 214 | 66 | 4703 | Base | |
| XGTK3000-VB150 | 3000 | 150 | 214 | 66 | 5200 | Base | |
| XGTK3800-VB150 | 3800 | 150 | 228 | 72 | 6520 | Base | |
| XGTK5000-VB150 | 5000 | 150 | 305 | 72 | 8576 | Base | |

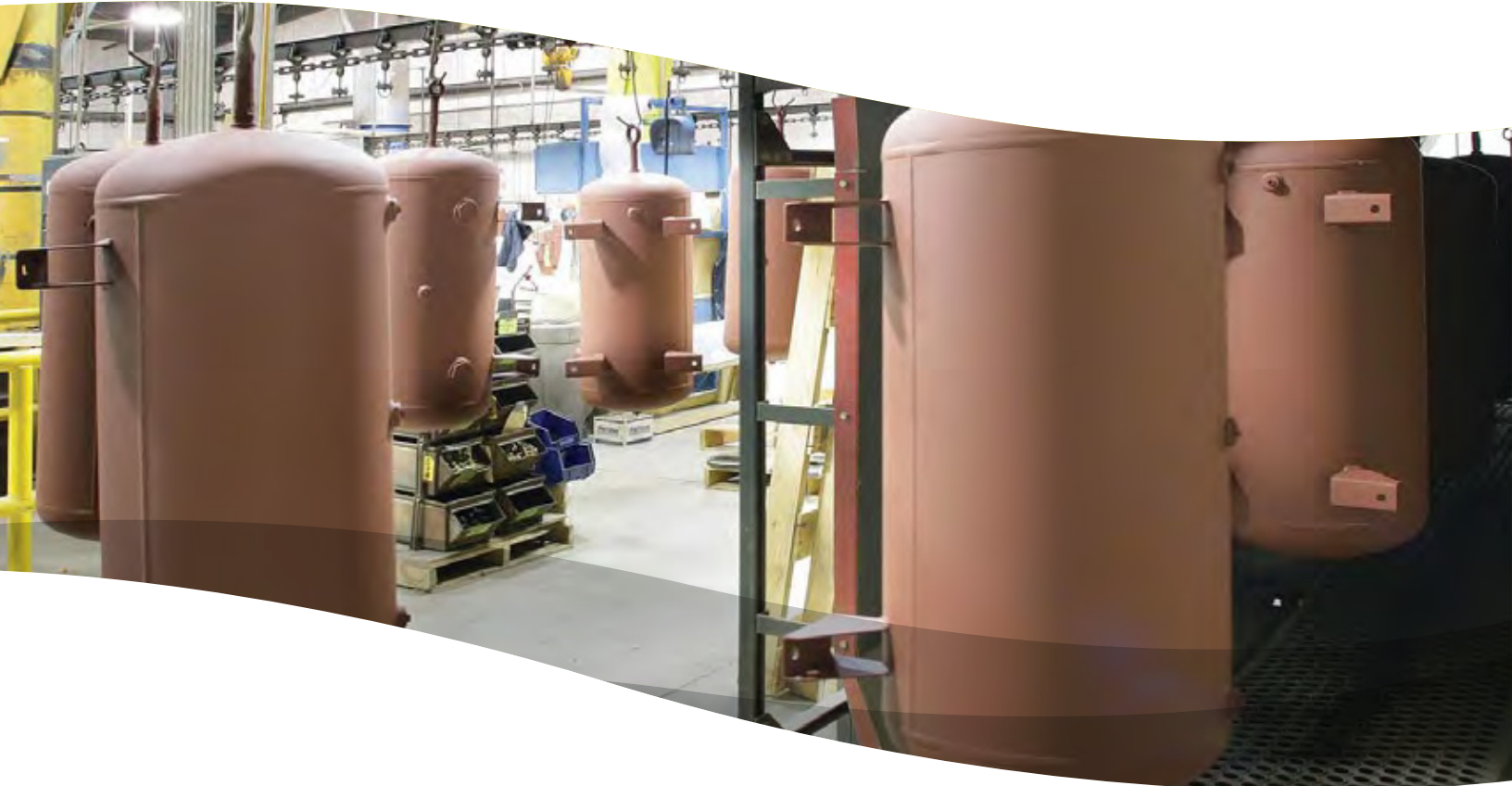
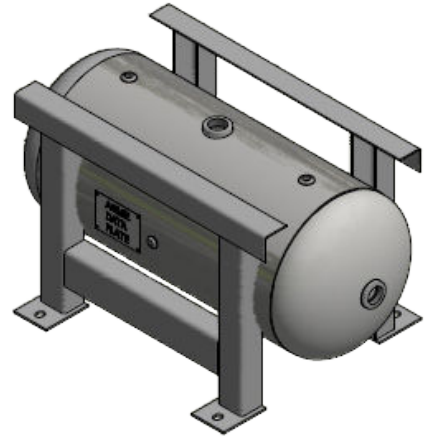
Horizontal Air Receiver
with Saddle Platform



Horizontal Air Receiver
with Saddle Platform &
Extended Top Plate



Horizontal Air Receiver
with Grasshopper Legs



HORIZONTAL TANKS

| PART NUMBER | | | | | | | |
|-----------------|------|-----|-----|----|------|-------------|--------------------|
| XGTK12-HF200 | 12 | 200 | 27 | 12 | 34 | Feet | |
| XGTK12-HFT200 | 12 | 200 | 27 | 12 | 43 | Feet | Top Plate |
| XGTK20-HF200 | 20 | 200 | 33 | 14 | 54 | Feet | |
| XGTK20-HFT200 | 20 | 200 | 33 | 14 | 63 | Feet | Top Plate |
| XGTK30-HS200 | 30 | 200 | 38 | 16 | 79 | Saddle | |
| XGTK30-HST200 | 30 | 200 | 38 | 16 | 99 | Saddle | Top Plate |
| XGTK30-HSTT200 | 30 | 200 | 38 | 16 | 132 | Saddle | Extended Top Plate |
| XGTK30-HFT200 | 30 | 200 | 38 | 16 | 147 | Feet | Top Plate |
| XGTK30-HG200 | 30 | 200 | 38 | 16 | 141 | Grasshopper | |
| XGTK60-HST200 | 60 | 200 | 48 | 20 | 196 | Saddle | Top Plate |
| XGTK60-HS200 | 60 | 200 | 48 | 20 | 162 | Saddle | |
| XGTK60-HSTT200 | 60 | 200 | 48 | 20 | 246 | Saddle | Extended Top Plate |
| XGTK60-HG200 | 60 | 200 | 48 | 20 | 271 | Grasshopper | |
| XGTK80-HS200 | 80 | 200 | 63 | 20 | 220 | Saddle | |
| XGTK80-HST200 | 80 | 200 | 63 | 20 | 248 | Saddle | Top Plate |
| XGTK80-HSTT200 | 80 | 200 | 63 | 20 | 322 | Saddle | Extended Top Plate |
| XGTK80-HG200 | 80 | 200 | 63 | 20 | 304 | Grasshopper | |
| XGTK120-HS200 | 120 | 200 | 67 | 24 | 316 | Saddle | |
| XGTK120-HST200 | 120 | 200 | 67 | 24 | 383 | Saddle | Top Plate |
| XGTK120-HSTT200 | 120 | 200 | 67 | 24 | 437 | Saddle | Extended Top Plate |
| XGTK120-HG200 | 120 | 200 | 67 | 24 | 420 | Grasshopper | |
| XGTK200-HS200 | 200 | 200 | 72 | 30 | 565 | Saddle | |
| XGTK200-HST200 | 200 | 200 | 72 | 30 | 570 | Saddle | Top Plate |
| XGTK200-HSTT200 | 200 | 200 | 72 | 30 | 684 | Saddle | Extended Top Plate |
| XGTK200-HG200 | 200 | 200 | 72 | 30 | 704 | Grasshopper | |
| XGTK240-HS200 | 240 | 200 | 84 | 30 | 638 | Saddle | |
| XGTK240-HST200 | 240 | 200 | 84 | 30 | 622 | Saddle | Top Plate |
| XGTK240-HSTT200 | 240 | 200 | 84 | 30 | 837 | Saddle | Extended Top Plate |
| XGTK240-HG200 | 240 | 200 | 84 | 30 | 759 | Grasshopper | |
| XGTK400-HS165 | 400 | 165 | 93 | 36 | 696 | Saddle | |
| XGTK400-HS200 | 400 | 200 | 93 | 36 | 1064 | Saddle | |
| XGTK500-HS165 | 500 | 165 | 117 | 36 | 944 | Saddle | |
| XGTK500-HS200 | 500 | 200 | 117 | 36 | 1300 | Saddle | |
| XGTK600-HS150 | 600 | 150 | 120 | 42 | 1400 | Saddle | |
| XGTK1060-HS155 | 1060 | 155 | 144 | 48 | 1966 | Saddle | |
| XGTK1060-HS200 | 1060 | 200 | 144 | 48 | 2390 | Saddle | |
| XGTK1550-HS165 | 1550 | 165 | 166 | 54 | 3020 | Saddle | |
| XGTK2000-HS150 | 2000 | 150 | 174 | 60 | 3516 | Saddle | |
| XGTK2560-HS150 | 2560 | 150 | 220 | 60 | 4301 | Saddle | |

The following optional coatings can be added to any vessel.

Exterior Powder (Standard colors: gray, white, and black, with other colors available upon request)

Exterior Epoxy (Epoxy with semi-gloss polyurethane finish. Standard colors: gray, white, and black, with other colors available upon request)

Interior Powder

Interior Epoxy

NSF & FDA Interior Coatings

Safety Relief Device

Pressure Gauge

Drain

Kit: Includes Safety Relief Device & Pressure Gauge





No problem! We can build a custom vessel to meet your specific needs. We have a wide range of expertise with engineered-to-order vessel designs. We've manufactured anything from custom air receivers to hyperbaric chambers. The possibilities are endless: 4" to 192" diameter, full vacuum to 3,000 PSI, and materials of construction including: carbon steel, stainless steel, and high alloys.

Below is a sampling of what we've done:

- | | |
|-----------------------------|----------------------|
| Air Receivers | Air Brake Tanks |
| DOT Shipping Containers | B31.3 Process Piping |
| Separators | Absorbers |
| Accumulators | Blowdown Tanks |
| Heater Treaters | Buffer Tanks |
| Knock-Out Drums/Flare Drums | Storage Tanks |
| Pulsation Bottles | Vapor Recovery Tanks |
| Scrubbers | Coalescers |
| Dryers | Slug Catchers |
| Filter Housings | Oil Field Tanks |
| Fluid Storage Tanks | Hyperbaric Chambers |

The leader in every market we serve
by continuously improving all business processes
with a focus on innovation and velocity


**Gardner
Denver®**

Gardner Denver, Inc.

1800 Gardner Expressway
Quincy, IL 62305



©2021 Gardner Denver, Inc. Printed in U.S.A.
GA-XGTK-TANKS 1st Ed. 10/21

 Please recycle after use.